

# ODYSSEY®

## THE EXTREME BATTERY

### SBS170F & SBS190F FRONT TERMINAL MONOBLOCS

The SBS170F and SBS190F Front Terminal monoblocs are EnerSys' latest additions to their hugely successful PowerSafe™ SBS range of high energy density, thin plate technology batteries. They embody the philosophy shared by all PowerSafe SBS batteries: to deliver that superior performance necessary for the highest level of system integrity in up to 25% less space than conventional VRLA batteries.

Although primarily designed for use in both wireless and fixed-line communication applications, the proven design features of the SBS170F and SBS190F blocs make them ideal for use in all other standby power battery market sectors. The combination of advanced, pure lead plate manufacturing technology, high grade materials and optimised electrochemistry makes them an unrivalled performer.

The large capacity of the SBS170F and SBS190F blocs (170Ah and 190Ah respectively) enables EnerSys™ to satisfy customers' ever increasing demand for high energy density products. The front terminal design enables them to be both installed and routinely maintained more easily than traditional VRLA types. Furthermore, it removes the requirement to access the top of blocs, giving equipment designers the opportunity to reduce the distance between shelves. This provides users with the option to benefit from either smaller cabinets or inherent space for system expansion in existing cabinet footprints. Whichever is chosen, the result has the potential for significant cost savings and reduced cost of ownership.

For power, performance and reliability, there is no substitute for PowerSafe SBS.

#### Features & Benefits

- 12 volt, 170Ah and 190Ah monoblocs (C<sub>10</sub>/1.80Vpc/20°C)
- High energy density
- Long design life
- Up to two year shelf life
- Front terminal connections for fast and easy installation and maintenance
- UL94 V-0 rated flame retardant case and lid
- Wide operating temperature range: -40°C to +50°C



# ODYSSEY®

## THE EXTREME BATTERY

### Construction

- Positive plates - pure lead grids manufactured using a unique process
- Negative plates - provide perfect balance with the positive plates to ensure optimum recombination efficiency
- Separators - superior quality microporous glass matt separators with high absorption and stability
- Containers and lids - UL94 V-0 rated flame retardant material, highly resistant to shock and vibration
- Electrolyte - high grade dilute sulphuric acid absorbed into separator material
- Terminal design - leak resistant dual seal terminal design
- Self-regulating pressure relief valves - prevent ingress of atmospheric oxygen

- Flame arrestors - built into each cell for increased operational safety
- Rope lifting handles - for ease of handling during transport and installation
- Terminal insulating covers - fitted as standard for added safety

### Installation & Operation

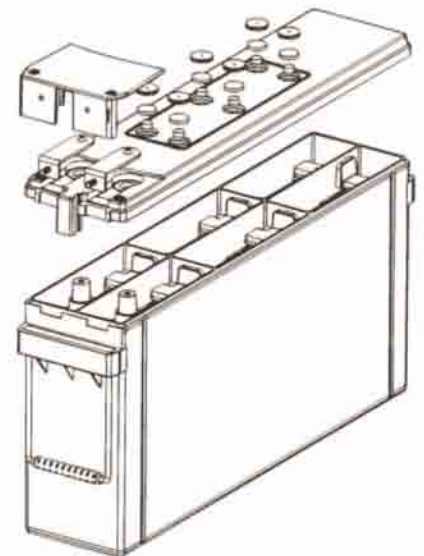
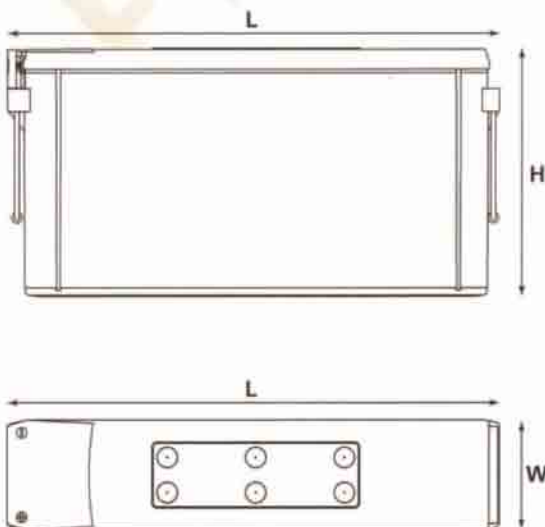
- PowerSafe SBS170F and SBS190F are designed for installation in cabinets or on stands. A separate battery room is not necessary
- Recommended float charge voltage:  
2.29Vpc at 20°C  
2.27Vpc at 25°C
- Up to two year shelf life
- Reduced maintenance: no water addition required

### Standards

- Designed to be compliant with international standard IEC 60896/21 & 22
- Classified as 'long life' according to the Eurobat guide 1999
- Designed to meet Telcordia SR-4228 requirements
- Approved to be shipped as non-hazardous cargo in accordance with the requirements of IMDG (International Maritime code for Dangerous Goods) and OICA (Organisation of International Civil Aviation)
- Manufactured in EnerSys production facilities certified to ISO 9001:2000 and ISO 14001

### General Specifications

Type	Nominal Voltage (V)	Nominal Capacity (Ah)		Nominal Dimensions		Overall Height mm	Typical Weight kg	Terminals
		10 hr rate to 1.80Vpc @ 20°C	8 hr rate to 1.75Vpc @ 77°F	Length mm	Width mm			
SBS170F	12	170	170	561	125	283	50.7	M6 M
SBS190F	12	190	190	561	125	316	58.2	M6 M



Contact: